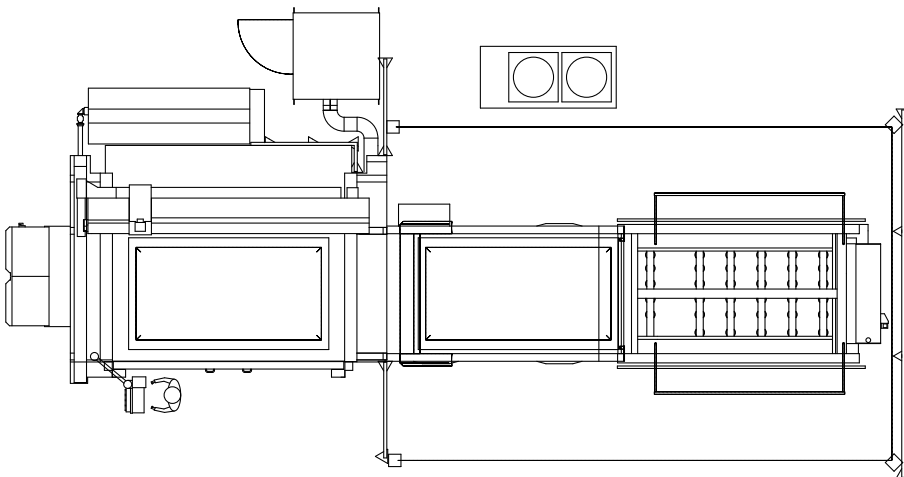
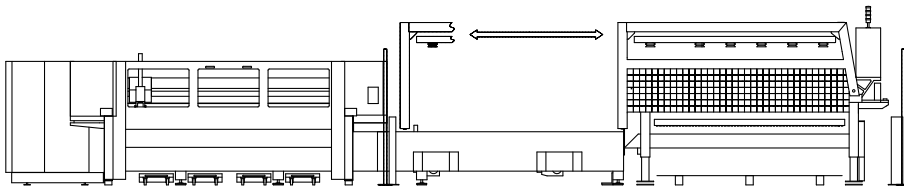


# Technical Data

## ByTrans

## ByTrans Extended

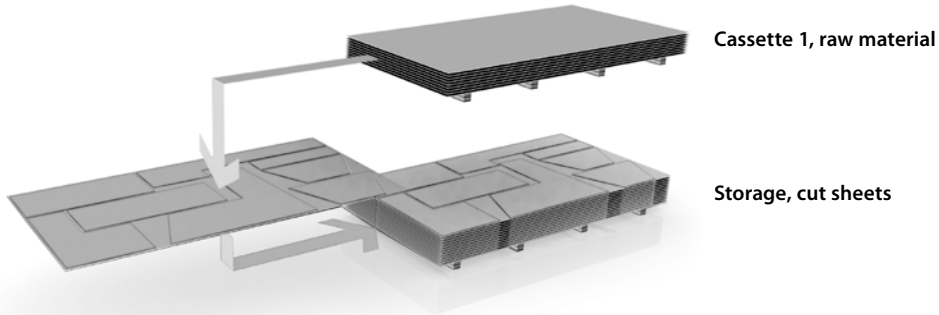


Dimensions according to assembly plan

# ByTrans and ByTrans Extended Application Variants

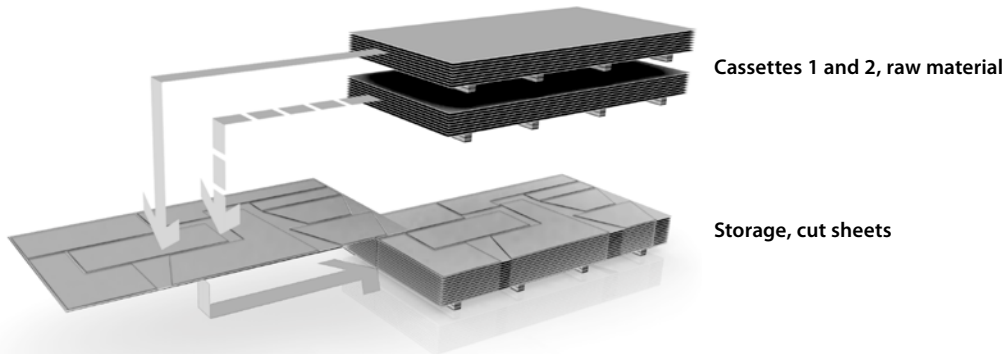
## ■ ByTrans 3015

One cassette for raw material

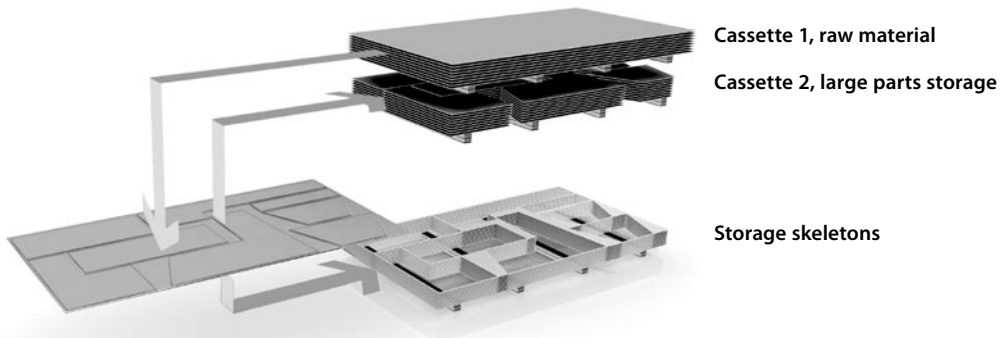


## ■ ByTrans 3015 Extended

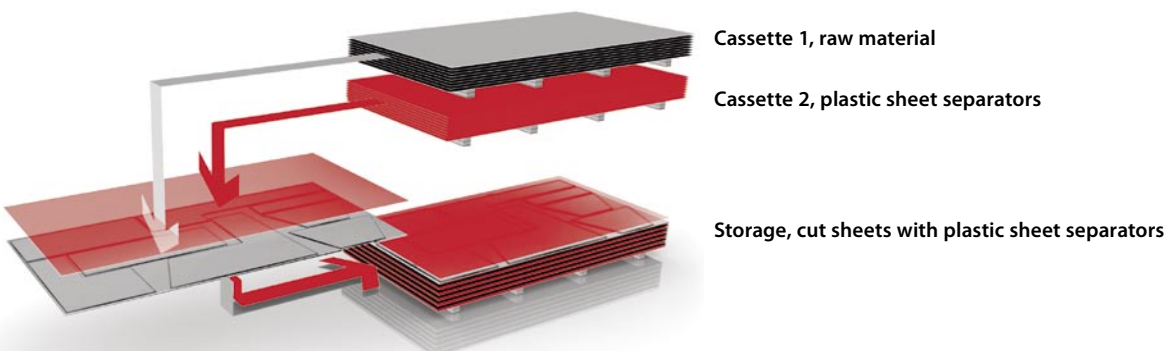
Two cassettes for raw material



Large parts and sheet skeletons separated



Cut sheets with plastic sheet separators



Loading/unloading module	ByTrans 3015	ByTrans 3015 Extended
Sheet metal nominal dimensions	120 × 60 in	120 × 60 in
Maximum sheet metal size	3048 × 1524 mm	3048 × 1524 mm
	120 × 60 in	120 × 60 in
Sheet sizes	120 x 60 in	variable
	100 x 50 in	
	80 x 40 in	
Number of cassettes	1	2
Sheet metal thickness (loading and unloading)	0.032 to 1.000 in	0.032 to 1.000 in
Maximum sheet metal weight	1985 lbs	1985 lbs
Raw material, stacking height (incl. pallet)	max. 9.5 in	max. 9.5 in
Raw material, stacking weight	max. 7050 lbs	max. 7050 lbs
Cut sheets, stacking height (incl. pallet)	max. 14 in	max. 14 in
Cut sheets, stacking weight	max. 6600 lbs	max. 6600 lbs
Materials	mild steel	mild steel
	stainless steel	stainless steel
	aluminum	aluminum
Loaded	using fork-lift truck or workshop crane	
Unloaded	using fork-lift truck	
Standard cycle time*	60 s	60 s
Cycle time with large part removal*		140 s
Cycle time with insertion of protective material**		90 s
Operation	via touchscreen of the operating terminal of the laser cutting system	
Module weight (net)	9900 lbs	11,000 lbs
Maximum electric power consumption (supplied via cabinet of the laser cutting system)	6.0 kW	6.0 kW
Compressed air consumption	max. 355 ft <sup>3</sup> /h	max. 355 ft <sup>3</sup> /h

\* without table change machine

\*\* with usual cutting plan

### Machine configurations

ByTrans 3015/ByTrans 3015 Extended fits the BySpeed Pro 3015, BySprint Pro 3015, BySprint 3015, Bystar 3015, as well as the BySprint Fiber 3015, each with ByVision CNC.

The right to make changes to dimensions, construction, and equipment is reserved. ISO-9001-certified

# Bystronic Best choice.

Laser | Bending | Waterjet  
[bystronic.com](http://bystronic.com)